

Internal Hex Pin Dee Shackle

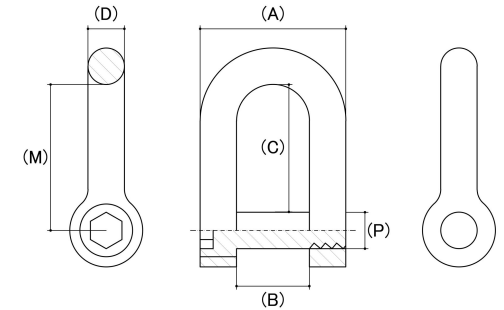
Pin Type: Internal Hex Removable Pin

Material: Stainless Steel

Class Grade: A4-70 G316

Corrosion Protection Level: Ultimate

Standard: No International standard applies to this range



*CAD drawings shown for graphic representation only.**

Size	Width Of Opening (B) (mm)		Outside Diameter Of Eye (A) (mm)		Inside Eye Length (C) (mm)		Inside Eye Length to Pin Centre (M) (mm)		Pin Diameter (P) (mm)	Breaking Load	sku (qfind)
	Min	Max	Min	Max	Min	Max	Min	Max	Nom	Nom	
6mm	12.00	14.00	23.00	25.00	20.00	22.00	23.00	25.00	6.00	1700	62DSHPS624M
8mm	15.00	17.00	31.00	33.00	29.00	31.00	34.00	36.00	8.00	2500	62DSHPS832M
10mm	20.00	22.00	39.00	40.00	34.00	36.00	39.00	41.00	10.00	4100	62DSHPS1040M
12mm	23.00	25.00	46.00	49.00	42.00	44.00	49.00	51.00	12.00	5400	62DSHPS1248M

Disclaimer:

Dimensional data and technical information was obtained from publically available sources and not acquired through standard agencies. It has been completed and compiled for reference purposes only; where discrepancies are found they are subject to change without notice. Bolt & Nut Australia makes no warranties or representations regarding the accuracy and validity of the compiled information and data. Contact the relevant standard authorities for accurate and detailed information.

* CAD drawings may not reflect diameter, thread length or overall length.

© Bolt & Nut Australia Pty Ltd. All rights reserved.

Version: 28 Mar 2024